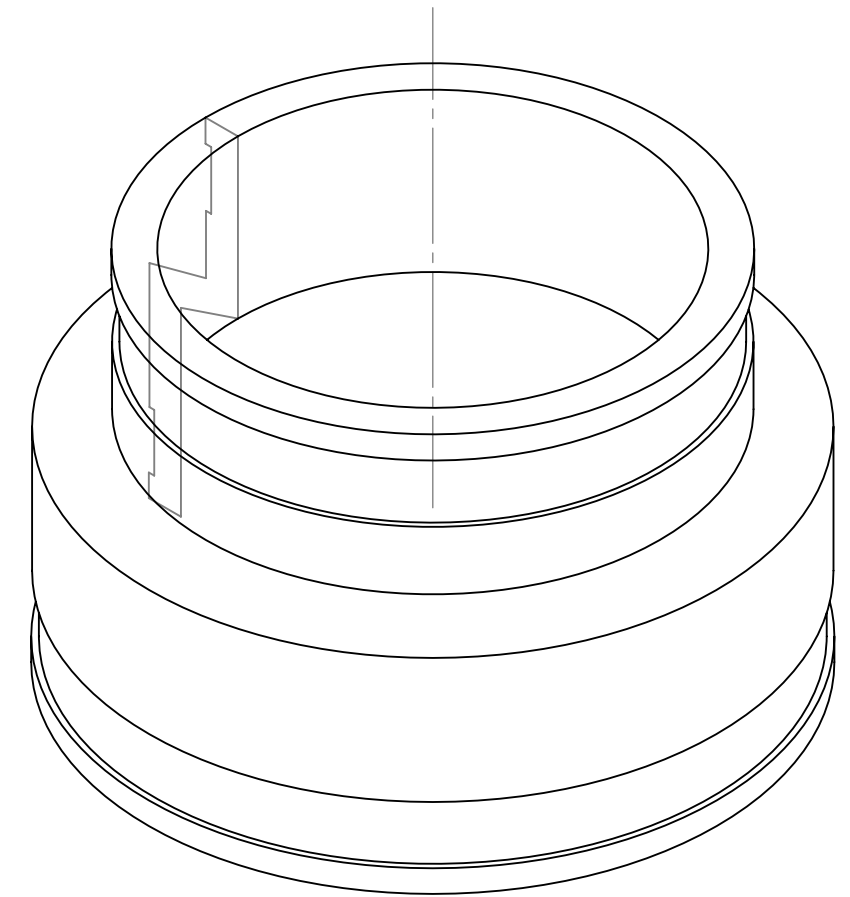


*This Part requires two clamps, part numbers 080-300 & 096-300. See additional drawings for information on these parts.



NOTES:
 - SOME HIDDEN LINES NOT SHOWN
 - BREAK ALL SHARP CORNERS
 - REPORT ALL CHANGES TO ENGINEERING

PROPRIETARY AND CONFIDENTIAL
 THE INFORMATION CONTAINED IN THIS DRAWING IS THE SOLE PROPERTY OF FERNCO, INC. ANY REPRODUCTION IN PART OR AS A WHOLE WITHOUT THE WRITTEN PERMISSION OF FERNCO, INC. IS PROHIBITED.

Part Weight	1.41 lbs.
Min/Max Temp.	-30/140 Degrees F
Pressure Tested	4.3 PSI
Material	Flexible PVC
Installation Torque	60" Lbs.
Conforms to ASTM	D5926
Box Quantity	20
Clamps used	300 Series



300 S. DAYTON ST.
 DAVISON, MI 48423
 PH: 810-653-9626
 FAX: 810-654-2616

TOLERANCES: .X= Fractional ± .XX= ±.02 .XXX= ±.030 ANG.= ±0.5° UNLESS OTHERWISE SPECIFIED		DESCRIPTION: Coupling 4" Concrete x 4" Plastic/ Cast Iron 1006-44	
UNITS: INCHES	SIZE: A	DESIGNER: D. Brady	SCALE: not to scale
3RD ANGLE PROJECTION DO NOT SCALE DRAWING		CHECKER: DATE: 5/14/2007	SHEET 1 OF 1