

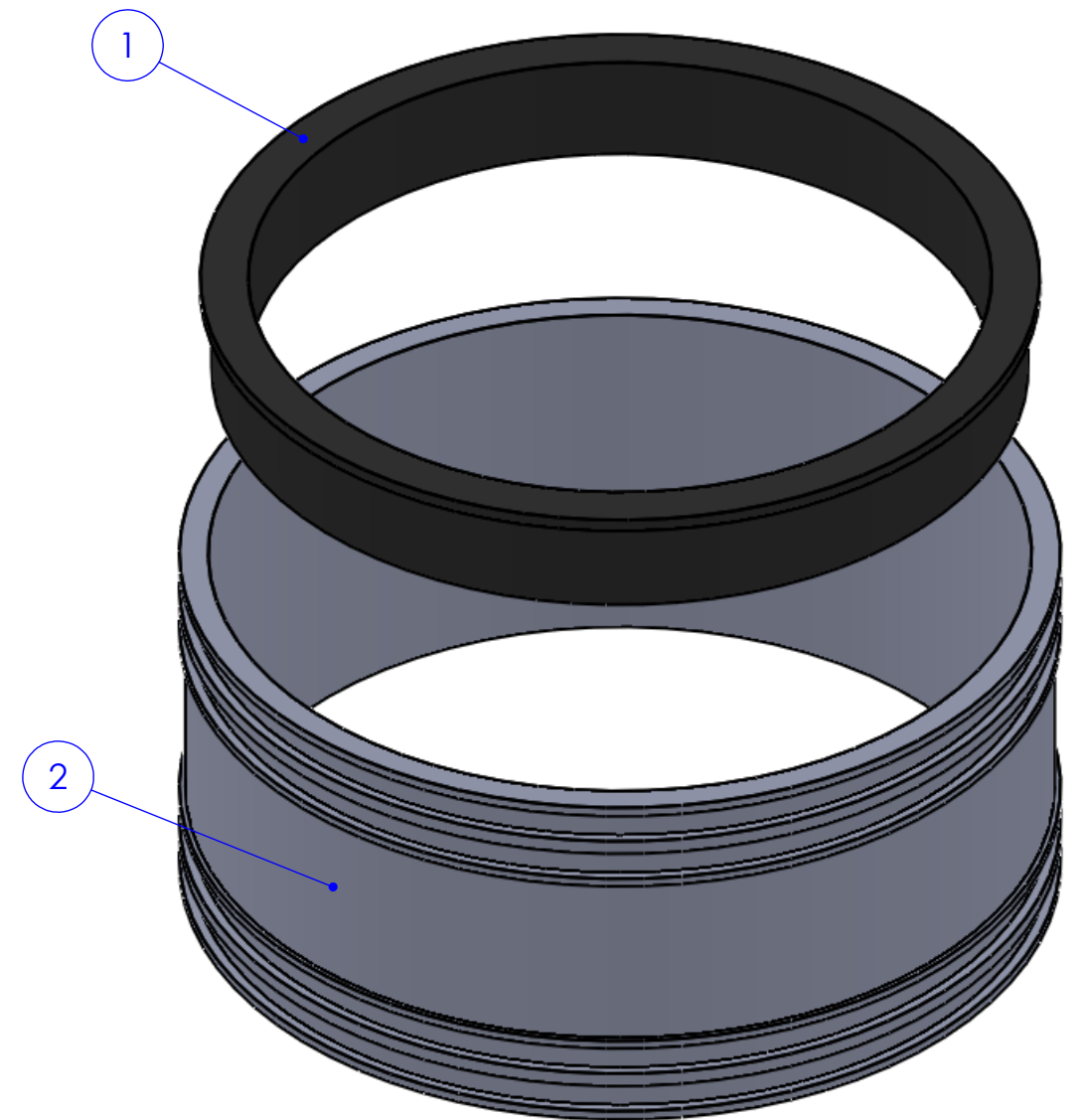
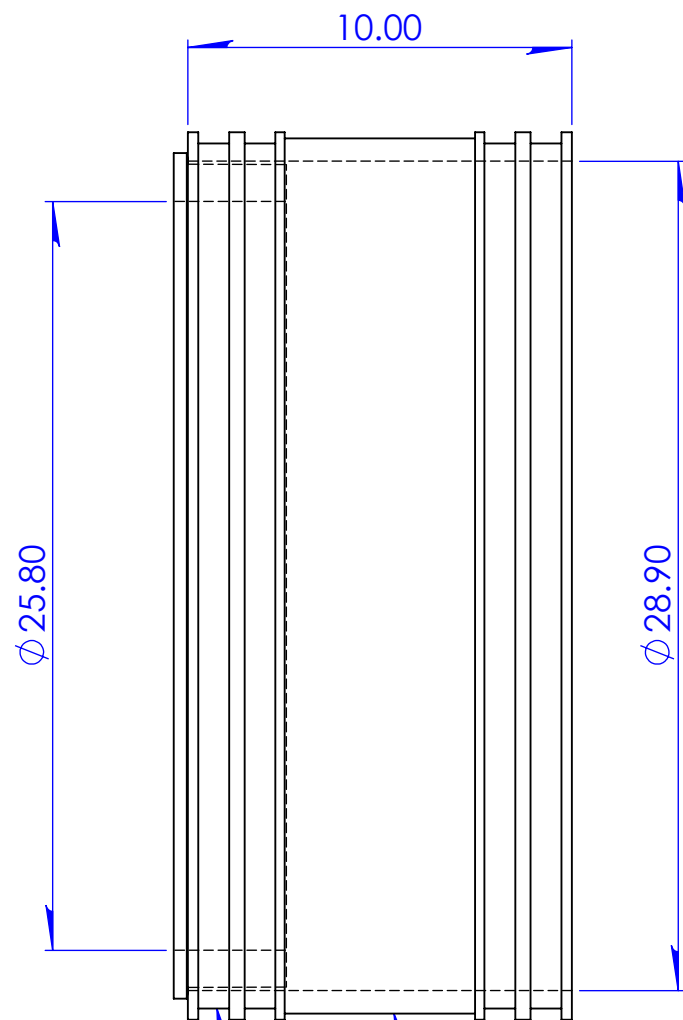


300 S. DAYTON ST.  
 DAVISON, MI 48423  
 PH: 810-653-9626  
 FAX: 810-654-2616

# 1003-2424RC

DESCRIPTION:

24" Clay to 24" A/C or DI



300 Series Stainless Steel  
 High Torque Clamps  
 4) Locations 120 in-lb Torque

Shield, .012"x 5.0"  
 300 Series Stainless Steel Clamps  
 Spot Welded (2) Locations  
 60 in-lb Installation Torque

ITEM NO.	PART NUMBER	DESCRIPTION	QTY.
1	Reducer Bushing	Custom welded LDCR	1
2	1001-2424	Welded Coupling	1

PROPRIETARY AND CONFIDENTIAL  
 THE INFORMATION CONTAINED IN THIS  
 DRAWING IS THE SOLE PROPERTY OF  
 FERNCO, INC. ANY REPRODUCTION IN  
 PART OR AS A WHOLE WITHOUT THE  
 WRITTEN PERMISSION OF FERNCO, INC.  
 IS PROHIBITED.

TOLERANCES:  
 Fractional  $\pm 1/4"$   
 .XX =  $\pm .06$   
 ANG. =  $\pm 3^\circ$   
 UNLESS OTHERWISE SPECIFIED

Part Weight		Installation Torque	120 in lbs.
Min/Max Temp.	-30/140 Degrees F	Conforms to ASTM	D5926, C1173
Pressure Tested		Clamps used	300 Series Stainless
Material	Flexible PVC 60 Duro Shore A	Box Quantity	

UNITS: INCHES  
 SIZE: **A**  
 3RD ANGLE PROJECTION  
 DO NOT SCALE DRAWING

DESIGNER: **N. Goddard**  
 CHECKER:  
 DATE: 1/14/2016

SCALE: not to scale  
 SHEET 1 OF 1