

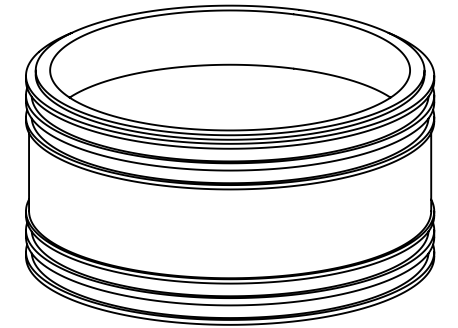
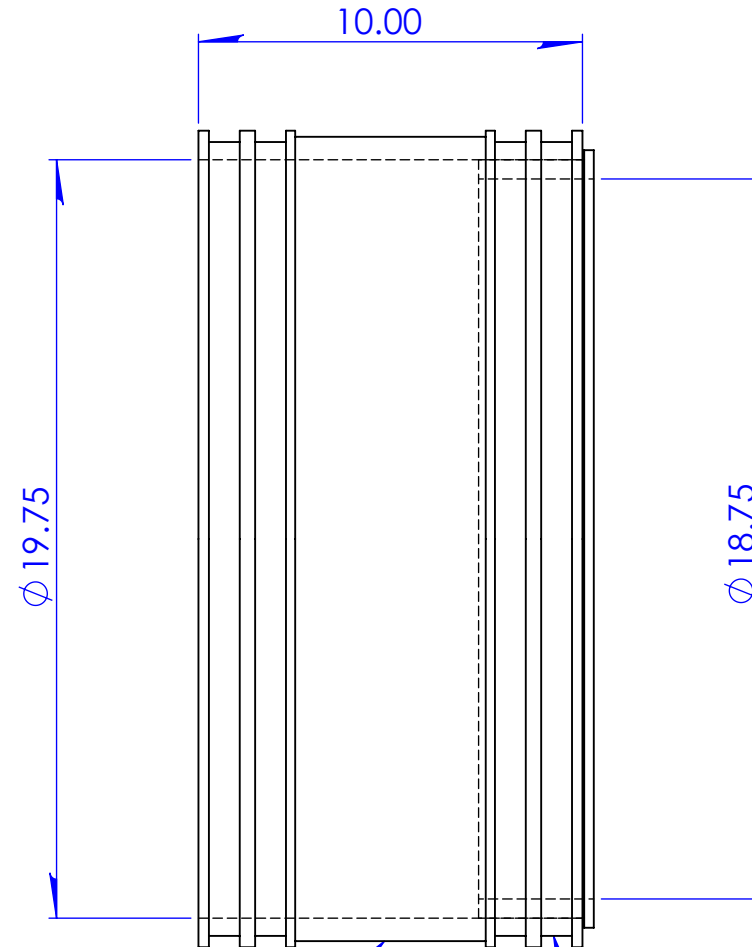
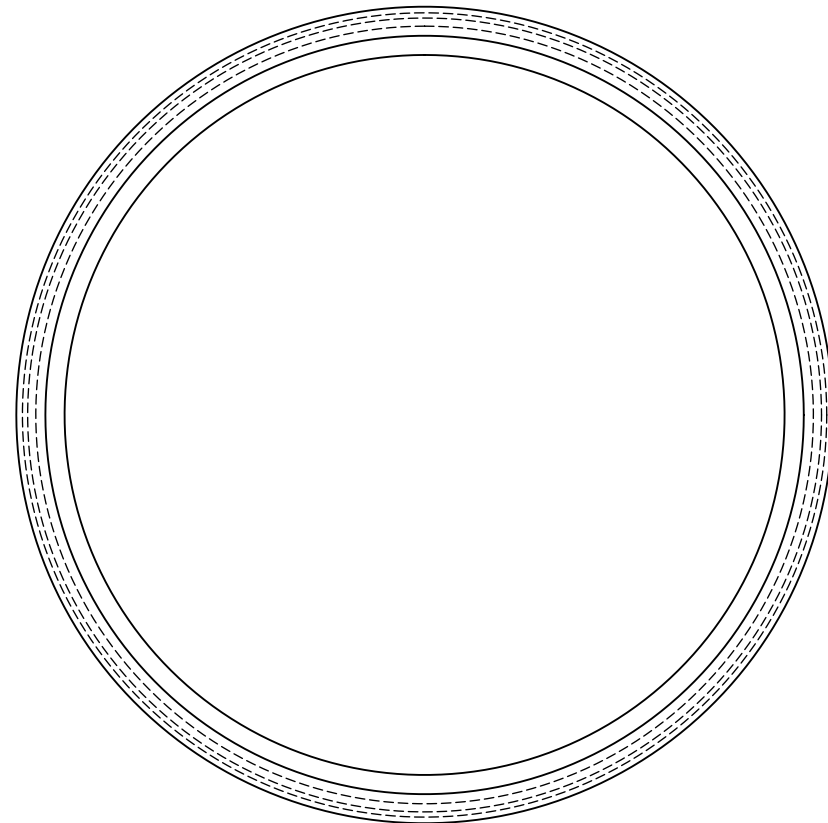


300 S. DAYTON ST.  
 DAVISON, MI 48423  
 PH: 810-653-9626  
 FAX: 810-654-2616

1051-1818RC

DESCRIPTION:

18" AC/DI x 18" AC/DI



SR Shield: .012 x 5.00 x 62.00  
 300SS w/ 2 Standard Clamps  
 Installation Torque: 60 in-lb

(4) 300 Series SS High Torque Clamp  
 120 in-lb Installation Torque

Note  
 LDC Supplied with:  
 300 Series High Torque Clamps  
 RC Shield: .012 x 5.00 w/Clamps 60 in-lb

TOLERANCES:  
 Fractional  $\pm 1/4"$   
 .XX =  $\pm .13$   
 ANG. =  $\pm 5^\circ$   
 UNLESS OTHERWISE SPECIFIED

PROPRIETARY AND CONFIDENTIAL  
 THE INFORMATION CONTAINED IN THIS  
 DRAWING IS THE SOLE PROPERTY OF  
 FERNICO, INC. ANY REPRODUCTION IN  
 PART OR AS A WHOLE WITHOUT THE  
 WRITTEN PERMISSION OF FERNICO, INC.  
 IS PROHIBITED.

Part Weight		Installation Torque	120 in lbs	UNITS:	SIZE:	DESIGNER:	SCALE:
Min/Max Temp.	-30/140 Degrees F	Conforms to ASTM	D5926, C1173	INCHES	<b>A</b>	<b>N. Goddard</b>	not to scale
Pressure Tested		Clamps used	300 Series Stainless	3RD ANGLE PROJECTION		CHECKER:	DATE:
Material	Flexible PVC 60 Duro Shore A	Box Quantity		DO NOT SCALE DRAWING			1/7/2016
							SHEET 1 OF 1