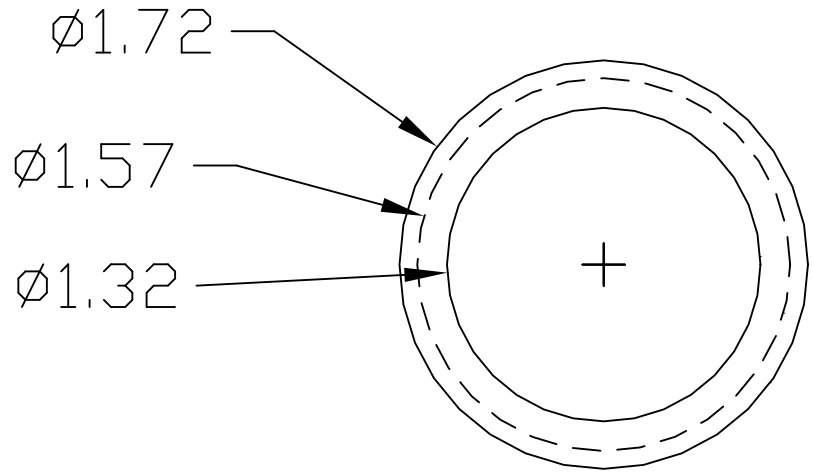
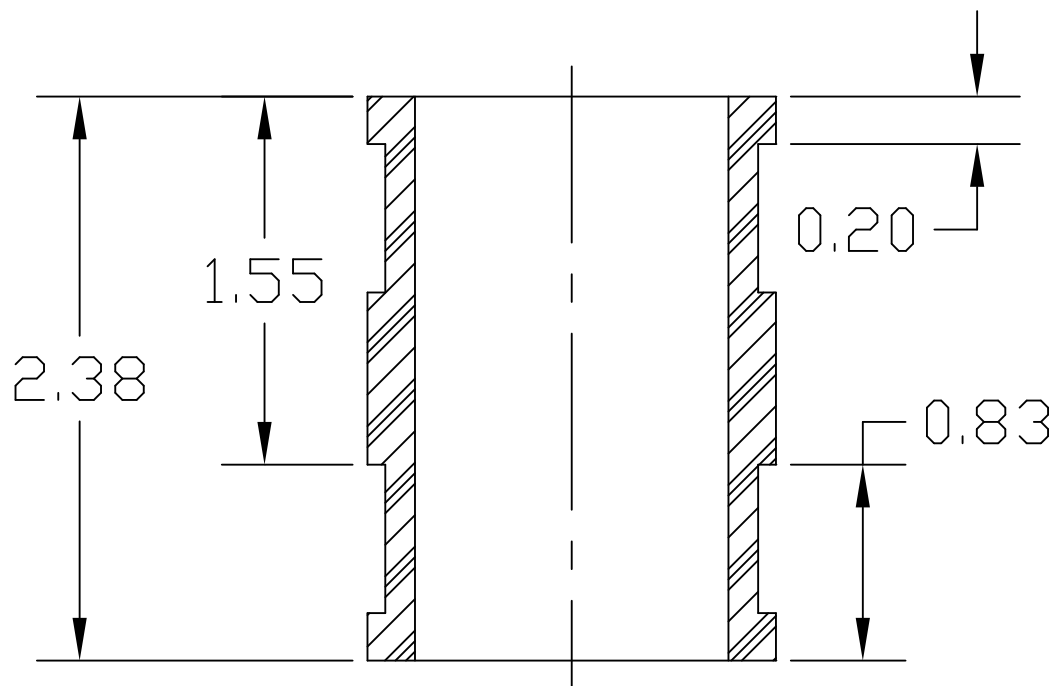


REVISIONS				
ZONE	REV	DESCRIPTION	DATE	APPROVED



\*Notes\*

1. Gasket Material: Black Plasticized PVC  
65 Shore "A" Durometer Hardness  
Conforming to ASTM D 5926
2. Clamps: 300 Series Stainless Steel,  
2 pcs. of Part# 020-300
3. Connections: 1" SCH 40 PVC or 1 1/4" CTS  
to 1" SCH 40 PVC or 1 1/4" CTS



UNLESS OTHERWISE SPECIFIED:  
DIMENSIONS ARE IN INCHES  
TOLERANCES

DECIMALS	ANGULAR
.XX ± .06	± 0.5°
.XXX ± .032	
DO NOT SCALE DRAWING	



1" Condensate Line Connector			
SIZE	FSCM NO.	DWG NO.	REV
A		1056-100	

DRAWN	DATE
AJD	15Jan03
CHECKED	