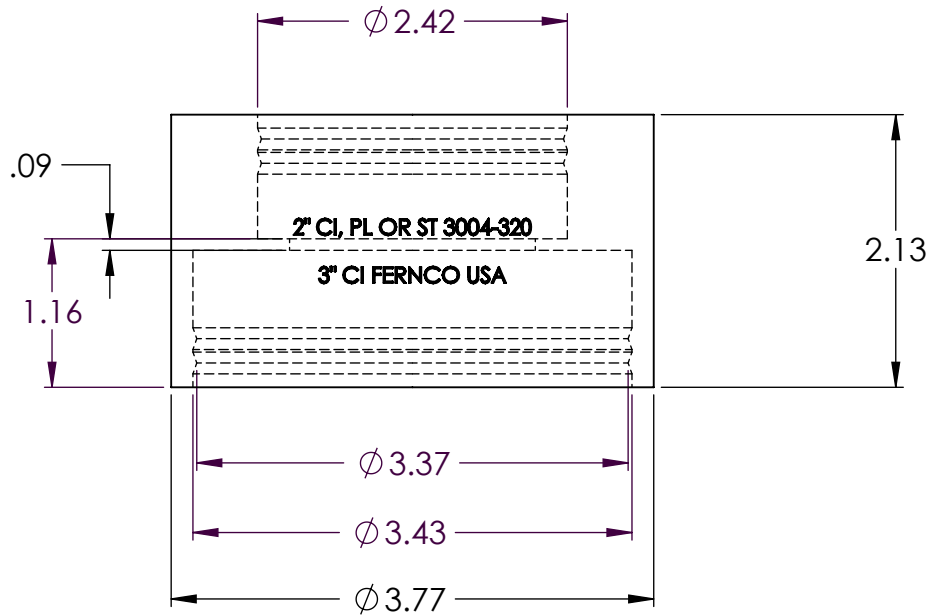
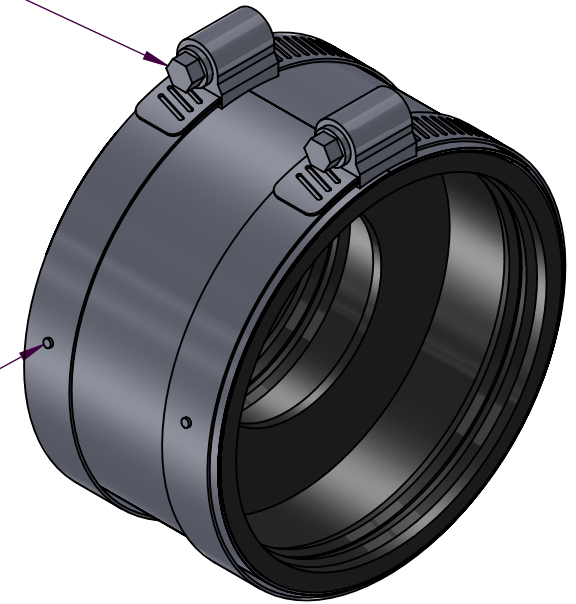


5/16" HEX

RIVETED CONSTRUCTION



LEGEND:

CI = NO-HUB CAST IRON

PL = SCH. 40 PVC

ST = STEEL, IRON PIPE SIZE

XHCI = EXTRA HEAVY WEIGHT CAST IRON

The Information Contained in this Drawing is the Sole Property of Fernco. Any Reproduction in Part or in Whole without Written Permission is Prohibited.

Clamp/Shield: All 300 SS, Installation Torque 60 in-lb
 Gasket Material: Rubber Complying to ASTM C564
 Coupling: Complies to ASTM C 1460
 Temperature Range: -30 °F to 180 °F
 Drain, waste and Vent Use Only



Tolerance:
 Angular ± 3°
 X = ± 0.09
 .XX = ± 0.06

SHEET 1 OF 1
 Dimensions
 are in
 Inches

Drawn by: SR

Part Number:

3004-320

DATE: 3/14/2015

Description:

3" CI to 2" CI, PL or ST

FERNCO INC. DAVISON MI.

Do Not Scale