



300 S. DAYTON ST.
DAVISON, MI 48423
PH: 810-503-9000
FAX: 810-653-8714

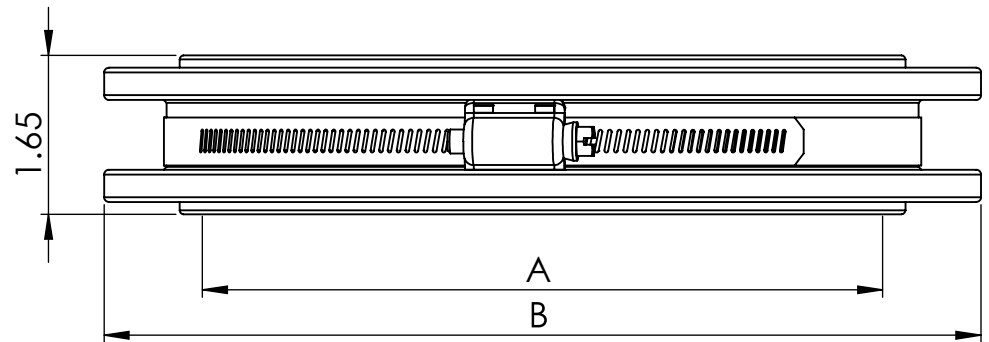
PART NO.

DPF25 - DPF630

DESCRIPTION:

DUAL PUDDLE FLANGE

Part Number	Band Size	Minimum "A"	Maximum "A"	"B"
DPF25	300-024	0.59	1.0	2.95
DPF32	300-028	1.01	1.38	3.23
DPF40	300-032	1.39	1.75	3.54
DPF50	300-042	1.76	2.20	3.94
DPF63	300-042	2.24	2.70	4.45
DPF75	300-064	2.75	3.35	4.92
DPF90	300-080	3.38	3.99	5.63
DPF110	300-080	4.00	4.52	6.30
DPF125	300-088	4.75	5.29	6.89
DPF140	300-104	5.30	5.99	7.48
DPF160	300-116	6.00	6.74	8.27
DPF175	300-128	6.75	7.50	8.86
DPF200	300-140	7.51	8.40	9.84
DPF225	300-164	8.41	9.35	10.83
DPF250	300-184	9.36	10.25	11.81
DPF275	300-196	10.26	11.25	12.80
DPF315	300-116 (2)	11.26	12.75	13.78
DPF325	300-116 (2)	12.76	13.50	14.76
*DPF350	TBD	13.51	14.35	15.75
*DPF375	TBD	14.36	15.30	16.73
*DPF400	TBD	15.39	16.34	17.72
*DPF425	TBD	16.38	17.32	18.70
*DPF450	TBD	17.36	18.32	19.69
*DPF475	TBD	18.35	19.29	20.67
*DPF500	TBD	19.33	20.28	21.65
*DPF525	TBD	20.31	21.26	22.64
*DPF550	TBD	21.30	22.24	23.62
*DPF575	TBD	22.28	23.23	24.61
*DPF600	TBD	23.27	24.21	25.59
*DPF630	TBD	24.25	25.20	26.57



NOTE:

*SPECIAL ORDER

PROPRIETARY AND CONFIDENTIAL
THE INFORMATION CONTAINED IN THIS
DRAWING IS THE SOLE PROPERTY OF
FERNCO, INC. ANY REPRODUCTION IN
PART OR AS A WHOLE WITHOUT THE
WRITTEN PERMISSION OF FERNCO, INC.
IS PROHIBITED.

TOLERANCES:
FRACTIONAL ± 1/4"
.XX = ± .06
ANG. = +3°
UNLESS OTHERWISE SPECIFIED

GASKET MATERIAL	EPDM RUBBER
WORM GEAR CLAMP	300 SERIES STAINLESS
INSTALLATION TORQUE	60 IN · LBS

MANUFACTURED TO:
ASTM C1173
ASTM D5926
CSA B602

PART WEIGHT:
NA
REVISION:
A

AUTHOR:
TYLER KELLER
CHECKER:

DATE:
11/12/2024
UNITS:
INCHES

SCALE:
NOT TO SCALE
SHEET: 1 OF 1